

Condensers

ECV Series



General characteristics:

Our high-efficiency finned packages are made with special profile aluminum fins and high-quality Ø 9.52 mm copper tubing. Heat exchangers are supplied clean.

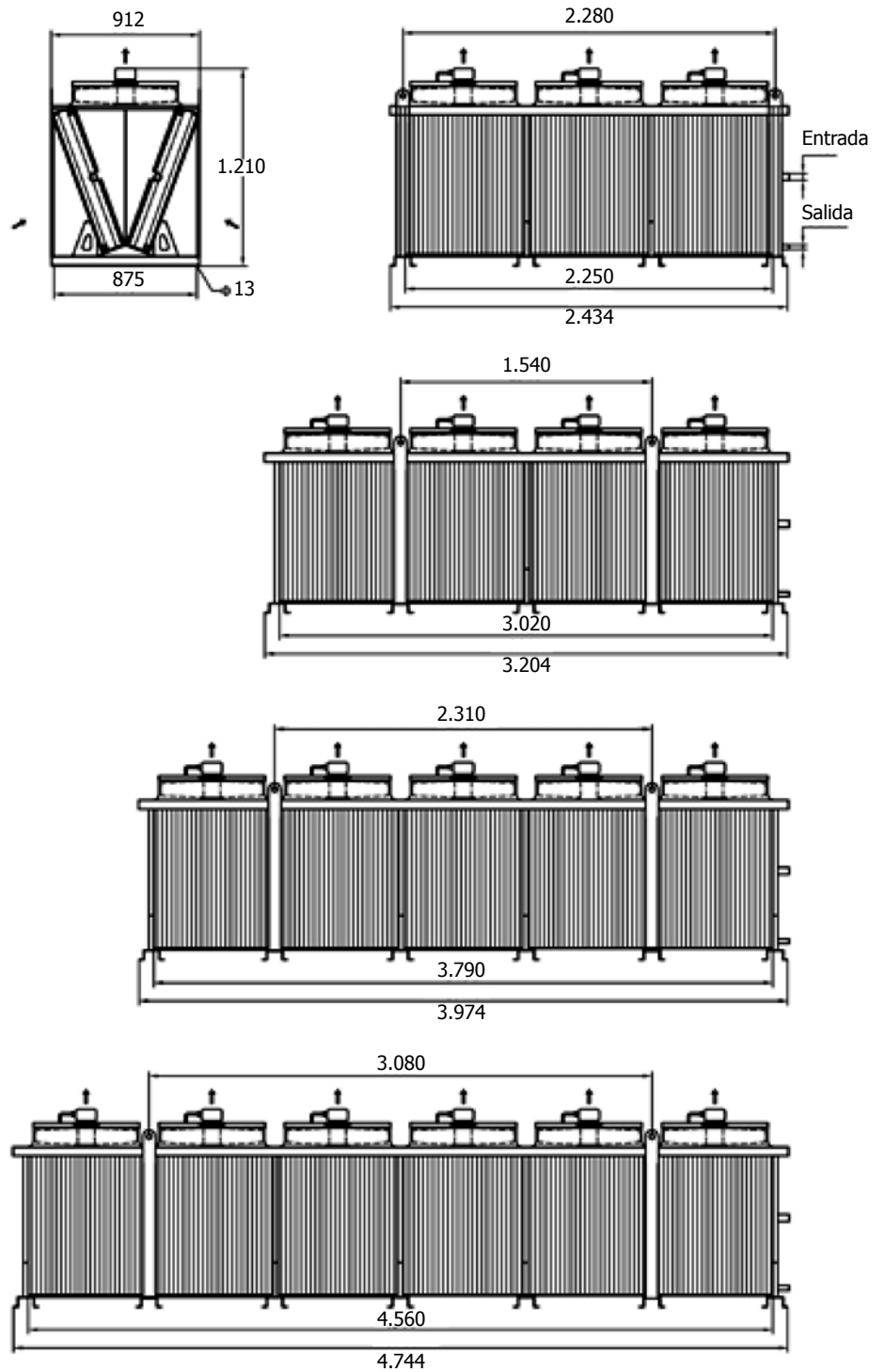
Casing:

Made of galvanized steel painted white with electrostatic powder, with high resistance against corrosion and impact resistance. Does not produce toxic waste.

The fans:

Optional fans with axial motor with external rotor, with a high safety standard and adapted to the frame.

Outline and Dimensions (mm)



Technical characteristics:

Model	Capacity R-449A	Noise level	Fins space	Exchange surface	Inner Volume	Fan					Connection (mm)		weight Kg	Price €
	DT=15K kW	dist=10m dBA				No x Ø (mm)	Connect Pole	Power (kW)	Current (A)	Air flow (m³/h)	Inlet	Outlet		
			(mm)	(m²)	(dm³)									
ECV6303-309-4D	165,81	90	2,1	309	43,90	3 x 630	4P-Δ	3,30	6,60	21.000	2 x 28	2 x 22	299	
ECV6303-309-4S	127,31	83	2,1	309	43,90	3 x 630	4P-Y	1,95	3,75	14.025	2 x 28	2 x 22	299	
ECV6303-309-6D	139,77	75	2,1	309	43,90	3 x 630	6P-Δ	2,18	5,22	15.600	2 x 28	2 x 22	299	
ECV6303-309-6S	105,66	72	2,1	309	43,90	3 x 630	6P-Y	1,67	2,91	10.425	2 x 28	2 x 22	299	
ECV6303-387-4D	180,46	90	2,1	387	55,10	3 x 630	4P-Δ	3,30	6,60	18.900	2 x 35	2 x 22	327	
ECV6303-387-4S	135,59	83	2,1	387	55,10	3 x 630	4P-Y	1,95	3,75	12.600	2 x 35	2 x 22	327	
ECV6303-387-6D	148,44	75	2,1	387	55,10	3 x 630	6P-Δ	2,18	5,22	14.100	2 x 35	2 x 22	327	
ECV6303-387-6D	109,50	72	2,1	387	55,10	3 x 630	6P-Y	1,67	2,91	9.375	2 x 35	2 x 22	327	
ECV6304-415-4D	228,64	92	2,1	415	59,86	4 x 630	4P-Δ	4,40	8,80	28.000	2 x 42	2 x 28	395	
ECV6304-415-4S	177,70	85	2,1	415	59,86	4 x 630	4P-Y	2,60	5,00	18.700	2 x 42	2 x 28	395	
ECV6304-415-6D	197,73	77	2,1	415	59,86	4 x 630	6P-Δ	2,90	6,96	20.800	2 x 42	2 x 28	395	
ECV6304-415-6S	144,10	74	2,1	415	59,86	4 x 630	6P-Y	2,23	3,88	13.900	2 x 42	2 x 28	395	
ECV6304-519-4D	293,23	92	2,1	519	74,04	4 x 630	4P-Δ	4,40	8,80	25.200	2 x 42	2 x 28	432	
ECV6304-519-4S	221,51	85	2,1	519	74,04	4 x 630	4P-Y	2,60	5,00	16.800	2 x 42	2 x 28	432	
ECV6304-519-6D	242,47	77	2,1	519	74,04	4 x 630	6P-Δ	2,90	6,96	18.800	2 x 42	2 x 28	432	
ECV6304-519-6S	179,77	74	2,1	519	74,04	4 x 630	6P-Y	2,23	3,88	12.500	2 x 42	2 x 28	432	
ECV6305-521-4D	285,66	93	2,1	521	74,14	5 x 630	4P-Δ	5,50	11,00	35.000	2 x 42	2 x 28	492	
ECV6305-521-4S	219,74	86	2,1	521	74,14	5 x 630	4P-Y	3,25	6,25	23.375	2 x 42	2 x 28	492	
ECV6305-521-6D	240,72	78	2,1	521	74,14	5 x 630	6P-Δ	3,63	8,70	26.000	2 x 42	2 x 28	492	
ECV6305-521-6S	182,02	74	2,1	521	74,14	5 x 630	6P-Y	2,79	4,85	17.375	2 x 42	2 x 28	492	
ECV6305-652-4D	358,36	93	2,1	652	93,92	5 x 630	4P-Δ	5,50	11,00	31.500	2 x 54	2 x 35	538	
ECV6305-652-4S	271,91	86	2,1	652	93,92	5 x 630	4P-Y	3,25	6,25	21.000	2 x 54	2 x 35	538	
ECV6305-652-6D	296,49	78	2,1	652	93,92	5 x 630	6P-Δ	3,63	8,70	23.500	2 x 54	2 x 35	538	
ECV6305-652-6S	227,86	74	2,1	652	93,92	5 x 630	6P-Y	2,79	4,85	15.625	2 x 54	2 x 35	538	
ECV6306-627-4D	343,74	94	2,1	627	90,46	6 x 630	4P-Δ	6,60	13,20	42.000	2 x 54	2 x 35	589	
ECV6306-627-4S	264,98	87	2,1	627	90,46	6 x 630	4P-Y	3,90	7,50	28.050	2 x 54	2 x 35	589	
ECV6306-627-6D	290,44	79	2,1	627	90,46	6 x 630	6P-Δ	4,36	10,44	31.200	2 x 54	2 x 35	589	
ECV6306-627-6S	219,86	75	2,1	627	90,46	6 x 630	6P-Y	3,34	5,82	20.850	2 x 54	2 x 35	589	
ECV6306-784-4D	421,52	94	2,1	784	111,78	6 x 630	4P-Δ	6,60	13,20	37.800	2 x 54	2 x 35	644	
ECV6306-784-4S	320,51	87	2,1	784	111,78	6 x 630	4P-Y	3,90	7,50	25.200	2 x 54	2 x 35	644	
ECV6306-784-6D	348,84	79	2,1	784	111,78	6 x 630	6P-Δ	4,36	10,44	28.200	2 x 54	2 x 35	644	
ECV6306-784-6S	267,95	75	2,1	784	111,78	6 x 630	6P-Y	3,34	5,82	18.750	2 x 54	2 x 35	644	

Technical Characteristics

Model	Capacity R-449A	Noise level	Fins space (mm)	Exchange surface (m ²)	Inner Volume (dm ³)	Fan					Connection (mm)		Weigl Kg	Price €
	DT=15K	dist=10m				No x Ø (mm)	Connect pole	Power (kW)	Current (A)	Air flow (m ³ /h)	Inlet	Outlet		
	kW	dBA												
ECV8002-358-6D	208,93	81	2,1	358	45,4	2 x 800	6P-Δ	3,20	7,00	30.000	2 x 54	2 x 35	343	
ECV8002-358-6S	166,66	71	2,1	358	45,4	2 x 800	6P-Y	1,60	3,10	22.000	2 x 54	2 x 35	343	
ECV8002-448-6D	222,78	81	2,1	448	56,8	2 x 800	6P-Δ	3,20	7,00	28.000	2 x 54	2 x 35	373	
ECV8002-448-6S	171,10	71	2,1	448	56,8	2 x 800	6P-Y	1,60	3,10	20.000	2 x 54	2 x 35	373	
ECV8003-538-6D	325,43	82	2,1	538	68,4	3 x 800	6P-Δ	4,80	10,50	45.000	2 x 54	2 x 35	506	
ECV8003-538-6S	259,16	72	2,1	538	68,4	3 x 800	6P-Y	2,40	4,65	33.000	2 x 54	2 x 35	506	
ECV8003-673-6S	346,04	82	2,1	673	85,4	3 x 800	6P-Δ	4,80	10,50	42.000	2 x 54	2 x 35	552	
ECV8003-673-6D	265,54	72	2,1	673	85,4	3 x 800	6P-Y	2,40	4,65	30.000	2 x 54	2 x 35	552	
ECV8004-721-6D	436,84	84	2,1	721	91	4 x 800	6P-Δ	6,40	14,00	60.000	2 x 76	2 x 54	670	
ECV8004-721-6S	349,49	74	2,1	721	91	4 x 800	6P-Y	3,20	6,20	44.000	2 x 76	2 x 28	670	
ECV8004-901-6D	465,68	84	2,1	901	113,8	4 x 800	6P-Δ	6,40	14,00	56.000	2 x 76	2 x 28	730	
ECV8004-901-6S	358,66	74	2,1	901	113,8	4 x 800	6P-Y	3,20	6,20	40.000	2 x 76	2 x 28	730	
ECV8005-902-6D	541,79	85	2,1	902	113,8	5 x 800	6P-Δ	8,00	17,50	75.000	2 x 76	2 x 28	839	
ECV8005-902-6S	435,85	75	2,1	902	113,8	5 x 800	6P-Y	4,00	7,75	55.000	2 x 76	2 x 28	839	
ECV8005-1128-6D	579,53	85	2,1	1.128	142,2	5 x 800	6P-Δ	8,00	17,50	70.000	2 x 76	2 x 28	915	
ECV8005-1128-6S	448,29	75	2,1	1.128	142,2	5 x 800	6P-Y	4,00	7,75	50.000	2 x 76	2 x 28	915	
ECV8006-1084-6D	638,85	86	2,1	1.084	136,6	6 x 800	6P-Δ	9,60	21,00	90.000	2 x 76	2 x 28	1.002	
ECV8006-1084-6S	518,12	76	2,1	1.084	136,6	6 x 800	6P-Y	4,80	9,30	66.000	2 x 76	2 x 28	1.002	
ECV8006-1355-6D	686,92	86	2,1	1.355	170,6	6 x 800	6P-Δ	9,60	21,00	84.000	2 x 76	2 x 28	1.093	
ECV8006-1355-6S	534,96	76	2,1	1.355	170,6	6 x 800	6P-Y	4,80	9,30	60.000	2 x 76	2 x 28	1.093	